

S11118AG/S11125AG/S11135AG

INSTALLATION INSTRUCTIONS SHEET

START FROM HERE

- Make sure power is completely off at the fuse box.
- Have your fixture installed by a qualified licensed electrician
- Prepare everything in clear area.
- Wear gloves at all times during this installation.
- Read instructions carefully before you start assembly.
- Keep this instruction sheet for future reference.

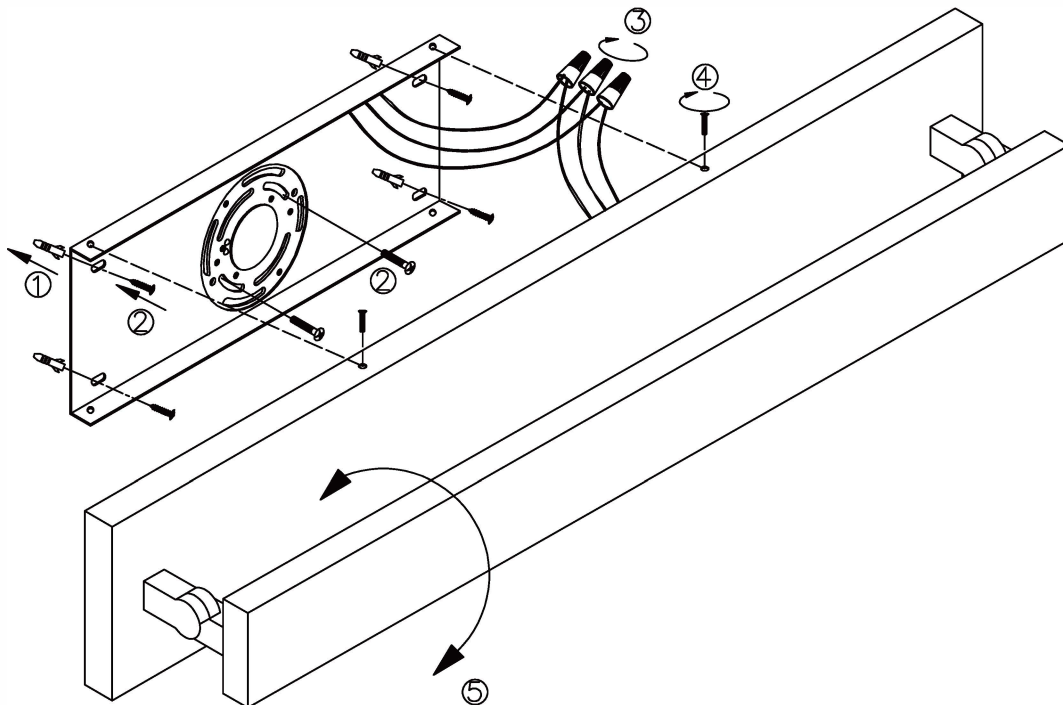
Technical Support: 1-844-628-8368

Please Note:

- All Matteo Lighting fixtures come with pre-wired module(s).
- Unless instructed to do so, please do not touch any part of the module(s) as unnecessary contact with the module could cause permanent damage.

THIS LUMINAIRE MUST BE MOUNTED OR SUPPORTED IN A JUNCTION BOX

CE LUMINAIRE DOIT ÊTRE MONTÉ OU SUPPORTÉ DANS UNE BOÎTE DE JONCTION



- Ensure main supply is switched off.
- Attach the mounting plate to the junction box using two junction box screws (not provided) (2)
- For additional support install four plastic anchors and self-tapping screws through mounting plate into wall (1)
- Connect wires according to colour (White to White, Black to Black), connect all earth lug together onto the crossbar with green screw to tight (3).
- Fit lamp body onto mounting plate with crews (4).
- After installation tilt fixture to proper orientation (5)
- Reconnect power
- Select color temperature desired with wall switch.
- Light source :
 - S11118AG: AC LED 16W, 3CCT: 3000K, 4000K, 5000K, CRI90.
 - S11125AG: AC LED 24W, 3CCT: 3000K, 4000K, 5000K, CRI90.
 - S11135AG: AC LED 2x16W, 3CCT: 3000K, 4000K, 5000K, CRI90.

WARNING:

- This fitting must be earthed.
- Disconnect power and allow fitting to cool down before cleaning or changing the lamp.